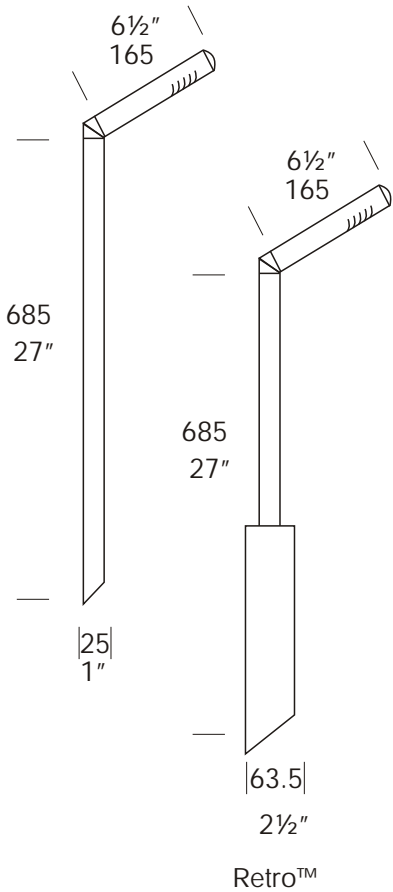


Walkway Lite

Cat. No. WW

Cat. No. WW/R



The Walkway Lite is specifically designed to illuminate walkways without any glare being transmitted to the eyes. The luminaire has a frosted glass lens to further reduce glare.

The Retro™, which is a mains option, avoids the need to bury a transformer. The 240/12 volt electronic transformer is built into the pole and is a double insulated safety isolating transformer. The transformer has an IP56 rating.

Ordering Information

Luminaire Type

WW - Walkway Lite

Material

Copper only

Accessories

CJK150 - Cable Joint Kit
 SSP/G - Hunza® Super Spike
 (not Retro™)
 /R - Retro™ Transformer
 240/12 volt

Ordering Example WW - Walkway Lite in Copper

CJK150 - Cable Joint Kit
 (Accessories ordered separately)



FACTORY: Ph: 64-9-528 9471 Fax: 64-9-528 9361.
 USA: Ph. 310 560 7310 Fax. 1 877 692 4589.
 hunza@hunza.co.nz www.hunza.co.nz
 Specifications may change without notice.

130 Felton Matthew Ave, Glen Innes, Auckland, New Zealand.
 3237 Long Island St, W. Sacramento, California 95691, USA.
 Manufactured in New Zealand.

© 2003 Hunza Holdings Ltd

Luminaire Construction

CNC machined from copper only:

Pole - copper 25.4mm (1") x 850mm (33½") tube.

End cap - solid copper 25.4mm (1") rod.

Elbow - Investment cast in brass.

Retro™:

Pole - copper 25.4mm (1") x 410mm (16") tube.

Elbow - Investment cast in brass.

Transformer Pole 63.5mm (2½") x 440mm (17½").

Mounting

Pole 850mm (33½") directly mounted into the earth or for extra stability in sand or loose ground use a Hunza® Super Spike. Retro set in concrete.

Features

Lens:

22mm (¾") frosted glass tube.

Gaskets:

Nytrol 150° (302°f)

Lamp Holder:

GU4 - 350°c (662°f) ceramic multi contact lamp holder with 250°c (480°f) teflon cables.

Accessories:

Cable Joint Kit (Cat. CJK 150)
Not approved for USA /Canada).

Hunza® Super Spike, not for Retro™ (Cat SSP/G).

Retro™ transformer 240/12 volt (Cat. /R) IP56.

Standards

IP44  UL1838

Luminaire Weight

12 volt 1.10kg (2lb 6oz)

Retro™ 2.38kg (5lb 3oz)

Power Supply

HUNZA® Inground or Wall Mount
Transformer: not included.

RETRO™

HUNZA® 240/12 volt ac silicone encapsulated electronic transformer built into the pole, IP56. Dimmable with a suitable leading edge dimmer.

USA and Canada:

HUNZA® Wall Mount Transformer: not included.

Luminaire: supplied with

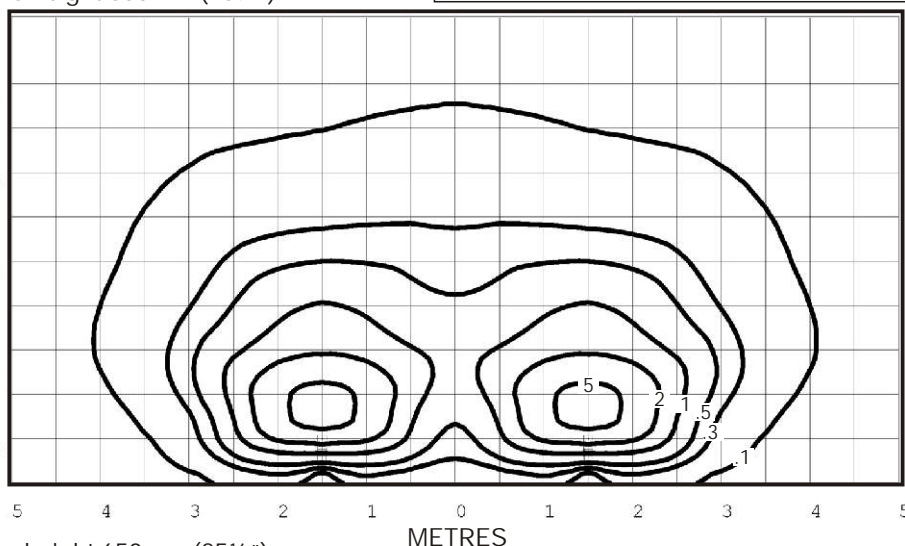
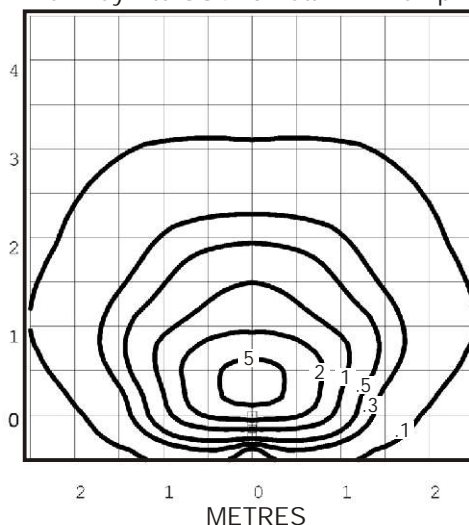
GU4 Bi-Pin 5, 10, 20 watt lamp max.

Retro™ GU4 Bi-Pin 10, 20 watt lamp max.

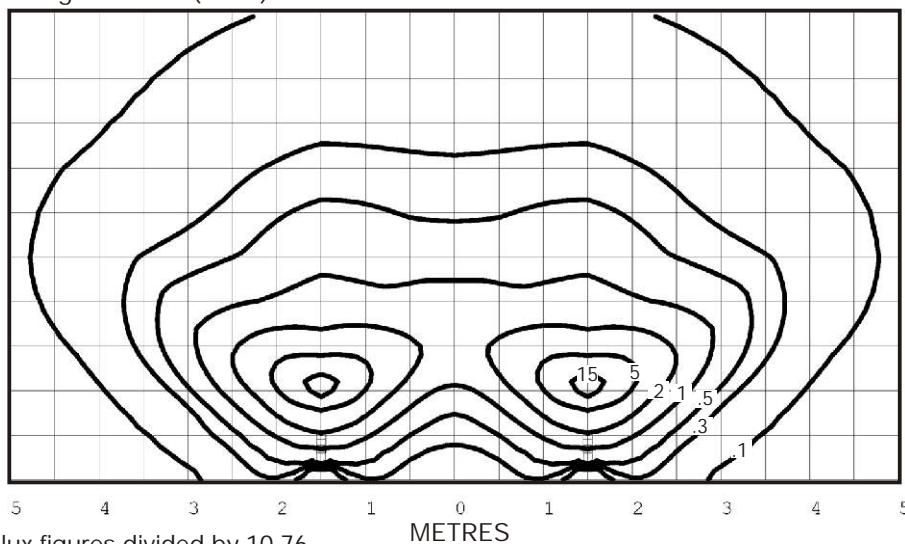
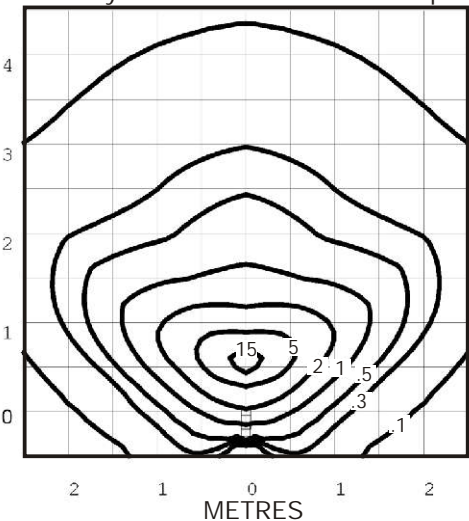
USA and Canada:

GU4 Bi-Pin 5, 10 watt lamp max.

Walkway Lite GU4 10 watt Bi-Pin lamp - Lens height 650mm (25½")



Walkway Lite GU4 20 watt Bi-Pin lamp - Lens height 650mm (25½")



Isolux Lumens Plot - Footcandles = Isolux figures divided by 10.76



FACTORY: Ph: 64-9-528 9471 Fax: 64-9-528 9361.

USA: Ph. 310 560 7310 Fax. 1 877 692 4589.

hunza@hunza.co.nz www.hunza.co.nz

Specifications may change without notice.

130 Felton Matthew Ave, Glen Innes, Auckland, New Zealand.

3237 Long Island St, W. Sacramento, California 95691, USA.

Manufactured in New Zealand.

© 2003 Hunza Holdings Ltd