

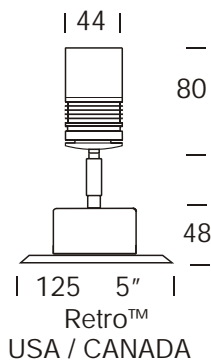
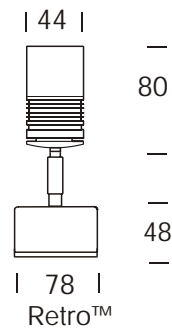
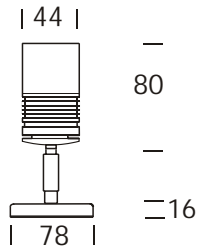
Euro Wall Spot

Cat. No. EWS

Cat. No. EWS/R



HUNZA®



The Euro Wall Spot is for situations where the luminaire needs to be discreet, the smaller sized MR11 lamp is utilised to achieve this. The spotlight can be aimed in any direction. This luminaire has a fully adjustable arm allowing 360 degree rotation and 0 - 90° elevation with a built in glare guard.

The Retro™ is a 110/240 ac mains option suited to an installation where mounting a transformer is a problem, e.g. a brick wall where there is only the cable protruding out of the wall and it is not an option to recess the transformer or when replacing an existing light fitting. The base size increases in size to accommodate the encapsulated IP66 dimmable transformer.

Ordering Information

Luminaire Type

EWS - Euro Wall Spot

Material

Cop - Copper
SS - 316 Stainless Steel

Accessories

CJK150 - CJK150 Cable Joint Kit
EFL - Frost Lens
/R - Retro™ Transformer 110/240 volt
WBAP - Wall Box Adaptor Plate (12 volt Luminaire)

Ordering Example: EWS SS - Euro Twin Wall Spot in 316 Stainless Steel
EWS/R COP - Euro Twin Wall Spot Retro™ in Copper

CJK150 - Cable Joint Kit
(Accessories ordered separately)



FACTORY: Ph: 64-9-528 9471 Fax: 64-9-528 9361.
USA: Ph. 310 560 7310 Fax. 1 877 692 4589.
hunza@hunza.co.nz www.hunza.co.nz
Specifications may change without notice.

130 Felton Matthew Ave, Glen Innes, Auckland, New Zealand.
3237 Long Island St, W. Sacramento, California 95691, USA.
Manufactured in New Zealand.

© 2003 Hunza Holdings Ltd

Luminaire Construction

CNC machined from one of the following metals:

Body:

Copper 45.4mm (13/4") rod.

Base:

Copper Hand spun 2mm (3/16")

Body:

Stainless steel 316 45.4mm (13/4") rod.

Base:

Investment cast and CNC machined.

Mounting

12 volt: the luminaire is mounted to the wall using two 316 stainless screws through a shallow base 16mm (5/8") in depth. A Wall Box Adaptor Plate (Cat. WBAP) is available as an accessory to fit 3.0 and 4.0 junction box for USA / Canada.

Retro™ luminaire (110/240 volt): a mounting plate is fixed to the wall using two screws and then the luminaire is fitted to the mounting plate.

Features

Lens:

3mm (1/8") thick clear tempered shatter resistant glass.

Life Time Warranty.

Gaskets:

Silicone, iron impregnated 220°C (428°F).

Lamp Holder:

GU4 - 350°C (662°F) ceramic multi contact lamp holder with 180°C (356°F) silicone cables.

Accessories:

Cable Joint Kit (Cat. CJK 150)
Not approved for USA /Canada.

Frost Lens (Cat. EFL).

Retro™ transformer 110/240 volt (Cat. /R).

Wall Box Adaptor Plate for 12 volt luminaires (Cat. WBAP).

Swivel:

Copper luminaires - 360° rotation and 0 - 90° elevation, solid brass with anti rust spring.

Stainless Steel luminaires - 360° rotation and 0 - 90° elevation, full stainless steel construction.

Standards

IP66 AS/NZS 61046

USA and Canada:

Not approved.

Luminaire Weight 12 volt

Cop .700kg (1lb 8oz)

SS .655 (1lb 7oz)

Retro™

Cop 1.120kg (2lb 7oz)

SS 1.150kg (2lb 8oz)

Power Supply

HUNZA® Inground or Wall Mount
Transformer: not included.

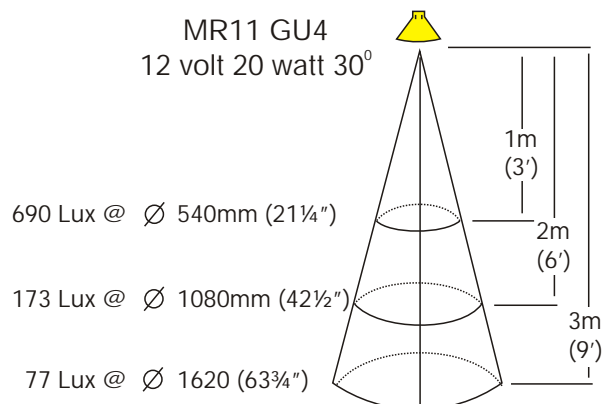
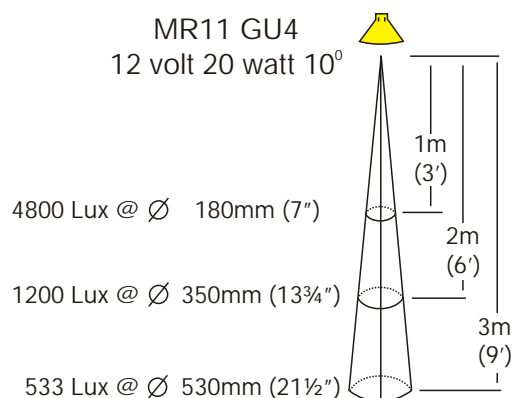
RETRO™

HUNZA® 110/240 volt ac silicone encapsulated electronic transformer built into the Retro™ base.

Dimmable with a suitable leading edge dimmer.

Lamp Type

MR11 GU4 - 20 watt lamp max.



FACTORY: Ph: 64-9-528 9471 Fax: 64-9-528 9361.
USA: Ph. 310 560 7310 Fax. 1 877 692 4589.
hunza@hunza.co.nz www.hunza.co.nz
Specifications may change without notice.

130 Felton Matthew Ave, Glen Innes, Auckland, New Zealand.
3237 Long Island St, W. Sacramento, California 95691, USA.
Manufactured in New Zealand.

© 2003 Hunza Holdings Ltd