

Luminaire Construction

CNC machined from one of the following metals:

Copper:

Body 45.4mm rod.

Pole 25.4mm (1") x 850mm (33½") tube.

316 Stainless Steel:

Body 45.4mm rod.

Pole 25.4mm (1") x 850mm (33½") tube.

Retro™:

Pole - 25.4mm (1") x 410mm (16") tube.

Transformer Pole 63.5mm (2½") x 440mm (17½").

Mounting

Pole 850mm (31½") directly mounted into the earth or for extra stability in sand or loose ground use a HUNZA® Super Spike. Retro™ set in concrete.

Features

Lens:

3mm (1/8") clear tempered shatter resistant glass.

Life Time Warranty.

Gaskets:

Silicone, iron impregnated 220°C (428°F).

Lamp Holder:

GU4 - 350°C (662°F) ceramic multi contact lamp holder with 250°C (480°F) teflon cables.

Accessories:

Cable Joint Kit (Cat. CJK150). Not approved for USA /Canada.

Hunza® Super Spike, not Retro™ option (Cat. SSP/G).

Frosted Lens (Cat. EFL).

Retro™ transformer 240/12 volt (Cat. /R) IP56.

Swivel:

Copper luminaires - 360° rotation and 0 - 90° elevation, solid brass with anti rust spring.

Stainless Steel luminaires - 360° rotation and 0 - 90° elevation, full stainless steel construction.

Standards

IP56 / IP66

USA and Canada:

Not approved

Luminaire Weight

12 volt

Cop 1.355kg (2lb 15oz)

SS 1.200kg (2lb 10oz)

RETRO™ IP56

Cop 2.535kg (5lb 9oz)

SS 2.400kg (5lb 4oz)

Power Supply

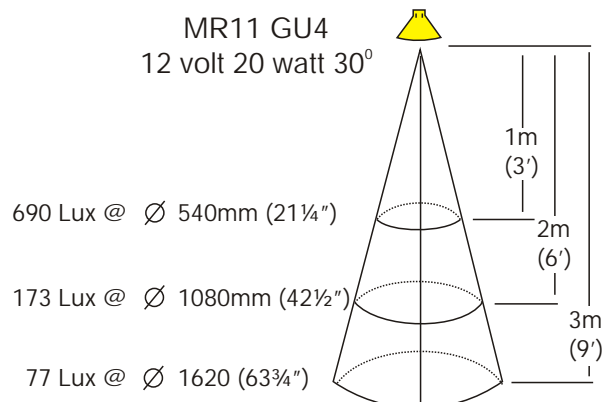
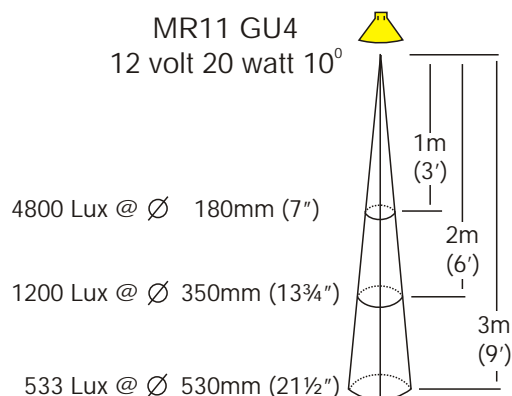
HUNZA® Inground or Wall Mount Transformer: not included.

RETRO™ IP56

HUNZA® 240 /12 volt ac silicone encapsulated electronic transformer is built into the pole. Dimmable with a suitable leading edge dimmer.

Lamp Type

MR11 GU4 20 watt lamp max.



FACTORY: Ph: 64-9-528 9471 Fax: 64-9-528 9361.
USA: Ph. 310 560 7310 Fax. 1 877 692 4589.
hunza@hunza.co.nz www.hunza.co.nz
Specifications may change without notice.

130 Felton Matthew Ave, Glen Innes, Auckland, New Zealand.
3237 Long Island St, W. Sacramento, California 95691, USA.
Manufactured in New Zealand.

© 2003 Hunza Holdings Ltd