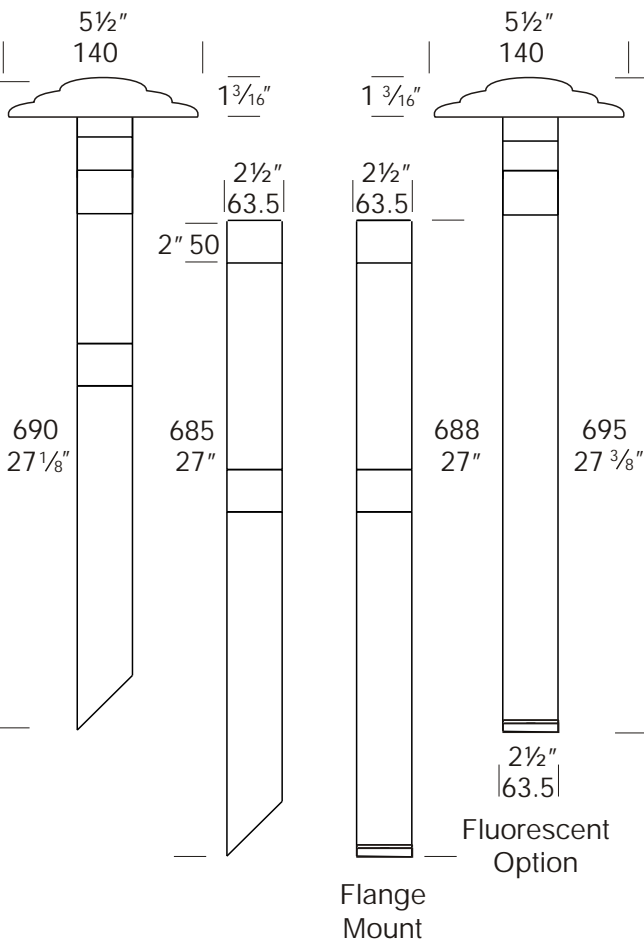


# Bollard 700

Cat. No. BOL700

Cat. No. BOL700fl

Cat. No. BOL700/R



The Bollard 700mm (27") is ideal for gardens. The lens reflects light at two angles through an anti-glare mesh directly onto the ground and horizontally to illuminate the surrounding landscape.

The Retro™, which is a mains option, avoids the need to bury a transformer. The 240/12 volt electronic transformer is built into the pole and is a double insulated safety isolating transformer.

A 240 volt fluorescent option is available which offers excellent light output, low energy usage and very low heat generation, this changes the luminaire to an IP56 rating.

## Ordering Information

### Luminaire Type

BOL700 - Bollard

### Material/Finish

BK - Black  
 BZ - Bronze  
 GN - Green  
 MS - Metallic Silver  
 WH - White

COP - Copper  
 SS - 316 Stainless Steel

### Accessories

CJK150 - Cable Joint Kit  
 H - Anti Glare Hood  
 FL - Fluorescent Option  
 FM - Flange Mount  
 /R - Retro™ Transformer  
 240/12 volt

Ordering Example: BOL700 BZ - Bollard 700 in Bronze  
 BOL700FL COP - Bollard 700 with Fluorescent Option in Copper

FM GN - Flange Mount in Green  
 (Accessories ordered separately)



Patent Pending



FACTORY: Ph: 64-9-528 9471 Fax: 64-9-528 9361.  
 USA: Ph. 310 560 7310 Fax. 1 877 692 4589.  
 hunza@hunza.co.nz www.hunza.co.nz  
 Specifications may change without notice.

130 Felton Matthew Ave, Glen Innes, Auckland, New Zealand.  
 3237 Long Island St, W. Sacramento, California 95691, USA.  
 Manufactured in New Zealand.

© 2003 Hunza Holdings Ltd

## Luminaire Construction

CNC machined from one of the following metals:

High corrosion resistant 63.5mm (2½") x 10mm (25/64") aluminium. End cap - solid aluminium 63.5mm (2½") rod, pole - 63.5mm (2½") x 3.25 mm (1/8") x 620mm (24½") with chromate substrate and high UV resistant polyester powder coat -

**Colours** Black, Bronze, Green, Metallic Silver, White.

**Copper** 63.5mm (2½") x 10mm (13/32"). End cap - solid copper 63.5mm (2½") rod, pole - 63.5mm (2½") x 3.25 mm (1/8") x 620mm (24½").

**316 Stainless steel** 63.5mm (2½") x 9mm (11/32"). End cap - solid 316 stainless steel 63.5mm (2½") rod pole - 63.5mm (2½") x 3.25 mm (1/8") x 620mm (24½").

## Mounting

Set in concrete in the ground or specify with flange mount option, which bolts to concrete, tiling or wooden decks.

## Features

### Lens:

UV stable acrylic with anti-glare mesh and dual angle reflector projects light horizontally and at 45° onto the ground.

### Gaskets:

Silicone, iron impregnated 220°C (428°F).

### Lamp Holders:

GU5.3 - 350°C (662°F) ceramic multi contact lamp holder with 250°C (480°F) teflon cables.

### Fluorescent:

E27 PET 210° (410°) base mount. Note: Fluorescent versions standard with hood (not stainless steel).

### Accessories:

Cable Joint Kit (Cat. CJK150)  
Not approved for USA /Canada.  
Anti-Glare Hood (Cat. H).  
Flange Mount (Cat. FM).  
Fluorescent Option (Cat. FL).  
Retro™ Transformer 240/12 volt (Cat. /R) IP56.

## Standards

IP56 / IP66  UL1838

### Luminaire Weight

**12 volt:** Alum 1.510kg (3lb 5oz)  
Cop 3.990kg (8lb 12oz)  
SS 3.770kg (8lb 4oz)  
**Retro:** Alum 2.700kg (5lb 15oz)  
Cop 5.200kg (11lb 7oz)  
SS 3.770kg (9lb 4oz)

### Power Supply

HUNZA® Inground or Wall Mount Transformer: not included.

### RETRO™ IP56

HUNZA® 240/12 volt ac silicone encapsulated electronic transformer built into the pole. Dimmable with a suitable leading edge dimmer.

### USA and Canada:

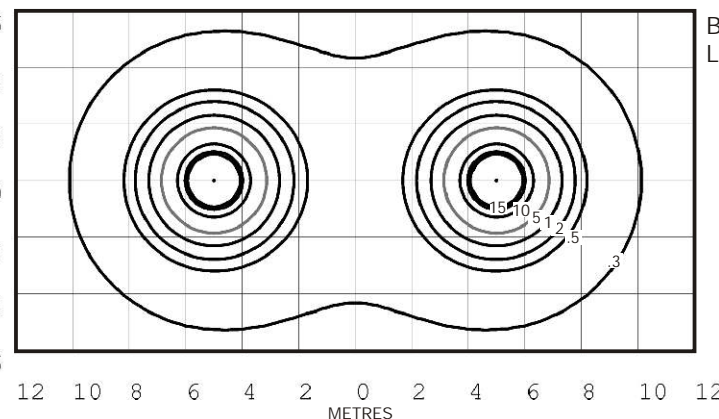
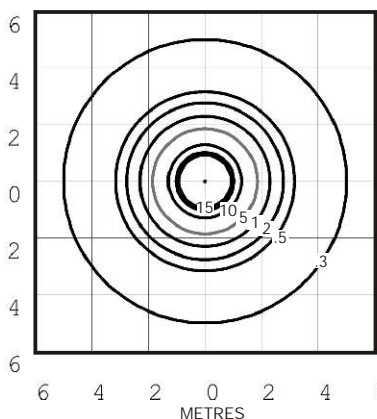
HUNZA® Wall Mount Transformer: not included.

### Luminaire: supplied with

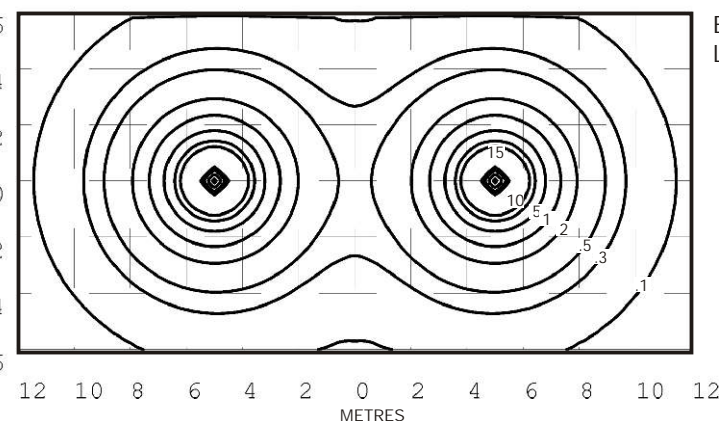
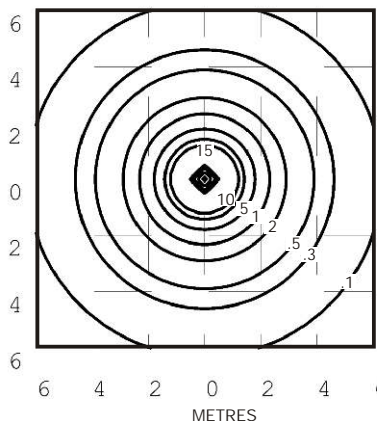
MR16 GU5.3 20, 35, 50 watt lamp max.  
**Fluorescent**  
E27 - 240 volt 5 watt self ballasted lamp.

### USA and Canada:

MR16 GU5.3 20, 35, 50 watt lamp max.



Bollard 700 MR16 20 watt ESX lamp - Lens height 700mm (27½")



Bollard 700 MR16 50 watt EXT lamp - Lens height 700mm (27½")

Isolux Lumens Plot -  
Footcandles =  
Isolux figures divided by 10.76



FACTORY: Ph: 64-9-528 9471 Fax: 64-9-528 9361.  
USA: Ph: 310 560 7310 Fax: 1 877 692 4589.  
hunza@hunza.co.nz www.hunza.co.nz  
Specifications may change without notice.

130 Felton Matthew Ave, Glen Innes, Auckland, New Zealand.  
3237 Long Island St, W. Sacramento, California 95691, USA.  
Manufactured in New Zealand.

© 2003 Hunza Holdings Ltd